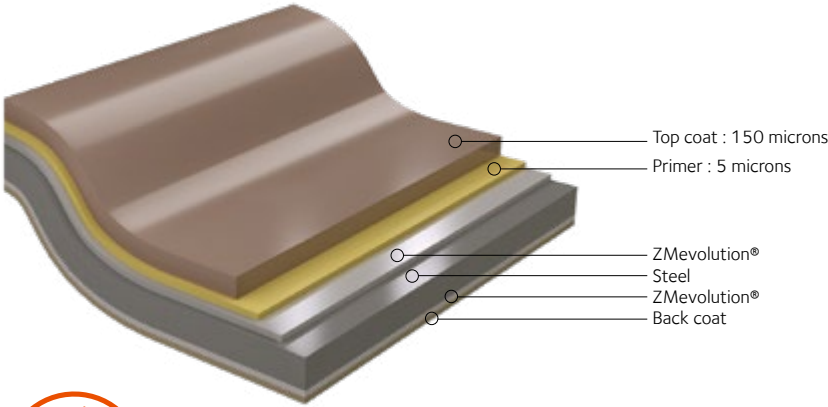




# Keyron® 150



Freedom



## Strength & Durability

### Applicable standards

**Metal substrate**  
 EN 10346: 2015  
 CSTB: ETPM ZMEvolution®  
 Zulassung Z-30.11-61

**Organic coating**  
 EN 10169: 2013  
 CSTB: ETPM ZMEvolution®

### Coating description

**Composition**  
 Polyvinyl chloride based thermoplastic resin  
 phthalate free  
 Front: 5 µm of primer - 150 µm of top coat  
 Back: Back coat category **CPI2**

**Possibilities**  
 Back: 150 µm on request

**Gloss**  
 Nominal: 30 GU

## Properties and applications

Very good behavior in corrosive and aggressive atmospheres  
 Very good flexibility  
 Very good resistance to abrasion thanks to high thickness  
 Recommended when the indoor environment is severe



## Coating class

**Indoor environment**  
 Category **CPI4** (NF EN 10169)

**Outdoor environment**  
 Category **RUV3 and RC5** (NF EN 10169)

## Coating properties

<b>Paint hardness</b>	Pencil hardness	<b>Color Gloss</b>	UV resistance	$\Delta E \leq 3$ Gloss retention $\geq 60\%$	
<b>Abrasion resistance</b>	Sand blasting	350 liters	<b>Corrosion</b>	Salt spray test	500 hours
	TABER	30 mg		Humidity resistance	1500 hours
<b>Flexibility at 20 °c</b>	Brutal indentation	No peeling	<b>Chemical agents</b>	Acids, bases and solvents	Acids and bases > Very good
	Bending	2t without cracking			Acid nitric vapor > Very good
<b>Thermal resistance</b>	Oven	Maxi : 80°C	<b>Fire behavior</b>	Euroclass	CS-2, d0 with a back coat of 12µm polyester or epoxy

Any trust guarantee must be validated/authorized by ArcelorMittal Construction and the durability will be defined by our specialists after analysis of the environmental questionnaire.